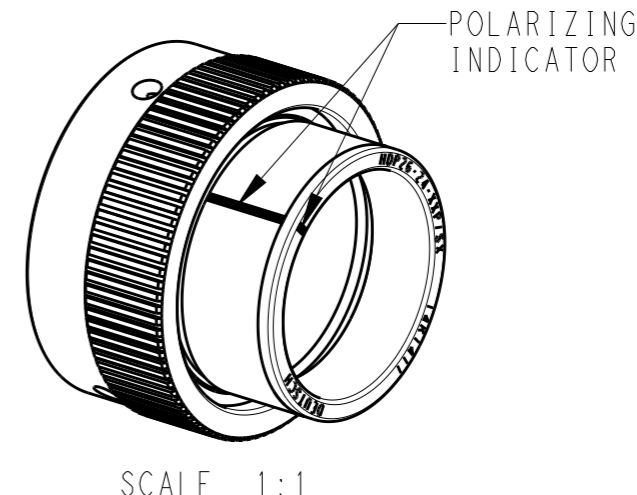


LOC	DIST	REVISIONS			
P	LTR	DESCRIPTION	DATE	DWN	APVD
		NC	NEW RELEASE PER E.O. P16572	07MAR2000	SB RDR
		A	REVISED PER E.O. P16875	29SEP2000	SB RDR
		B	REVISED PER E.O. P18119	15APR2003	AR RDR
		C	REVISED PER ECO-14-019072	23FEB2015	JA DM



- 5 NOTED DIMENSION DOES NOT INCLUDE GROMMET PROTRUSION.
- 4 MATERIAL: PLUG HOUSING/COUPLING RING: PA66 GF10 (BLACK)
 RETAINER RING: PA66 GF10 (GREEN, GRAY, BLUE)
 GROMMET: SILICONE (ORANGE-RED)
- 3 SEE 0425-021-0000 APPLICATION SPECIFICATION
 A. RECOMMENDED WIRE INSULATION RANGE
 B. CONTACT REMOVAL TOOLS

2. THIS PLUG MATES WITH HDP24-24XXP/SX-XXXX RECEPTACLE
 X = SEAL TYPE (N,T,E)
 XX = INSERT ARRANGEMENT
 XXXX = MODIFICATION

1 SEE CUSTOMER DRAWING 0425-014-2400 FOR AVAILABLE INSERT ARRANGEMENTS AND PART NUMBERS.

NOTES:

THIS DRAWING IS A CONTROLLED DOCUMENT.		DWN	06MAR2000	STE TE Connectivity	
		STEVE BEARD			
DIMENSIONS: INCHES [mm]		CHK	11APR2003	NAME PLUG, COUPLING RING SIZE 24 HDP SERIES	
TOLERANCES UNLESS OTHERWISE SPECIFIED:		JAIME C. APOSTOL			
0 PLC ± 1 PLC ± 2 PLC ± 3 PLC ±.015 [0.38] 4 PLC ± ANGLES ± ±0°30'0"		APVD	11APR2003		
		STEVE BEARD		DRAWING NO HDP26-24-XXP/SX	
MATERIAL 4		PRODUCT SPEC	0425-021-0000	SIZE	A3
FINISH N/A		APPLICATION SPEC	3	CAGE CODE	4AFU8
		WEIGHT		DRAWING NO	© HDP26-24-XXP/SX
		Customer Drawing		RESTRICTED TO	-
		SCALE 2:1		SHEET 1 OF 1	REV C